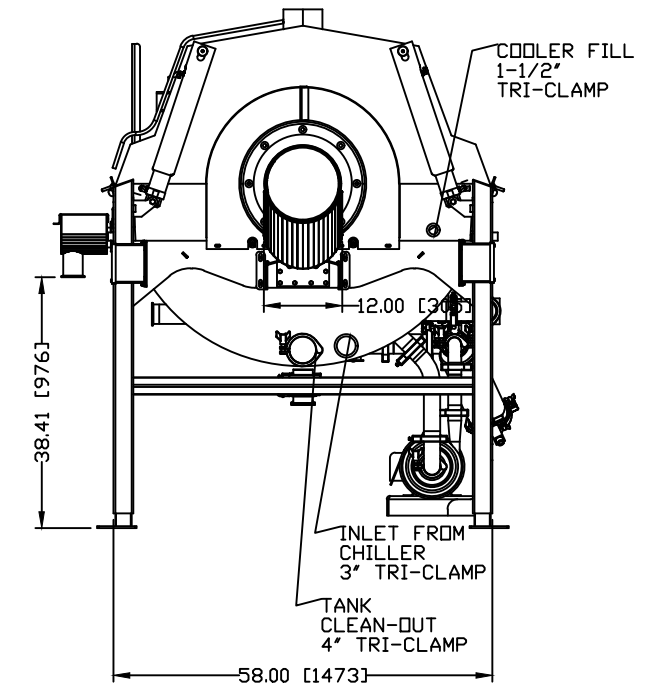
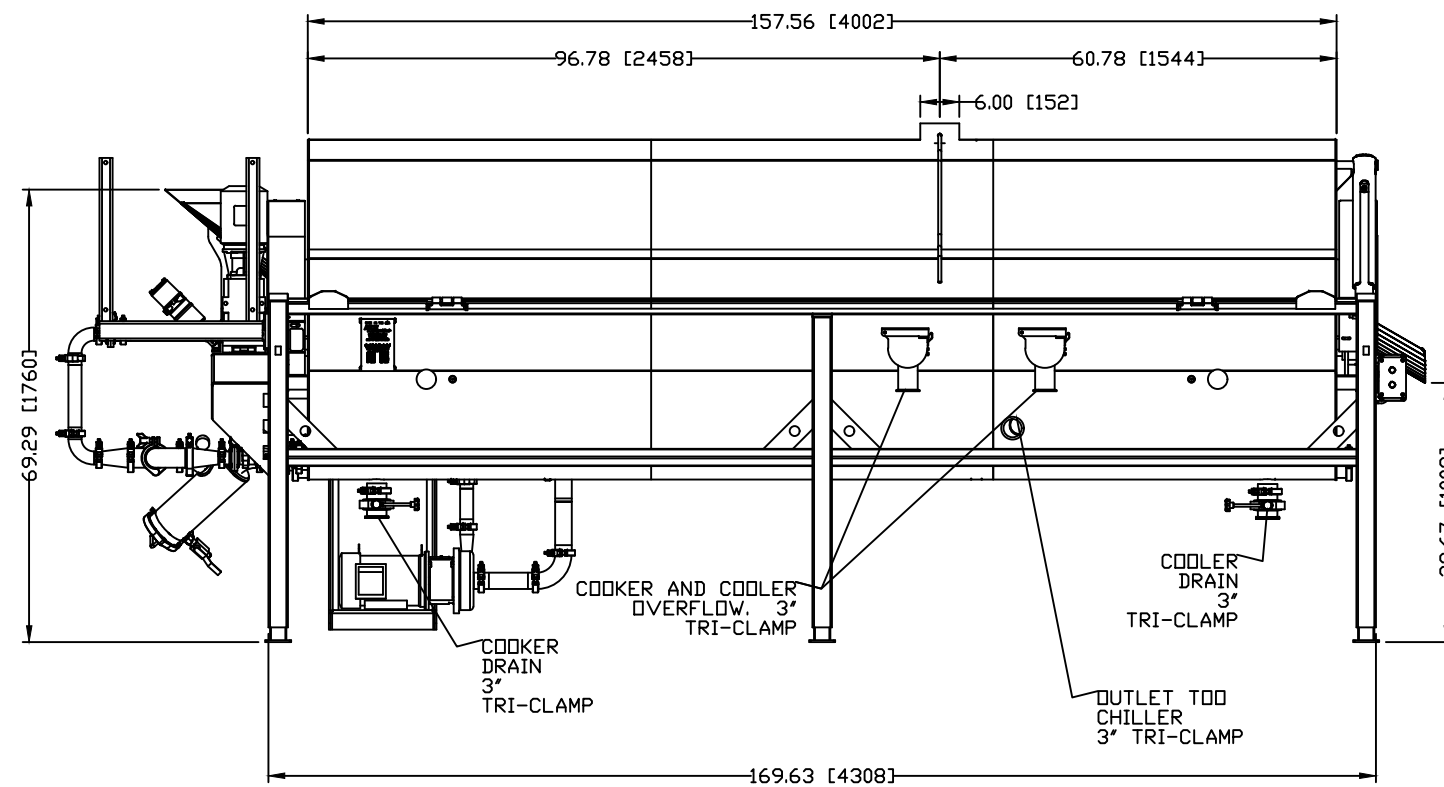
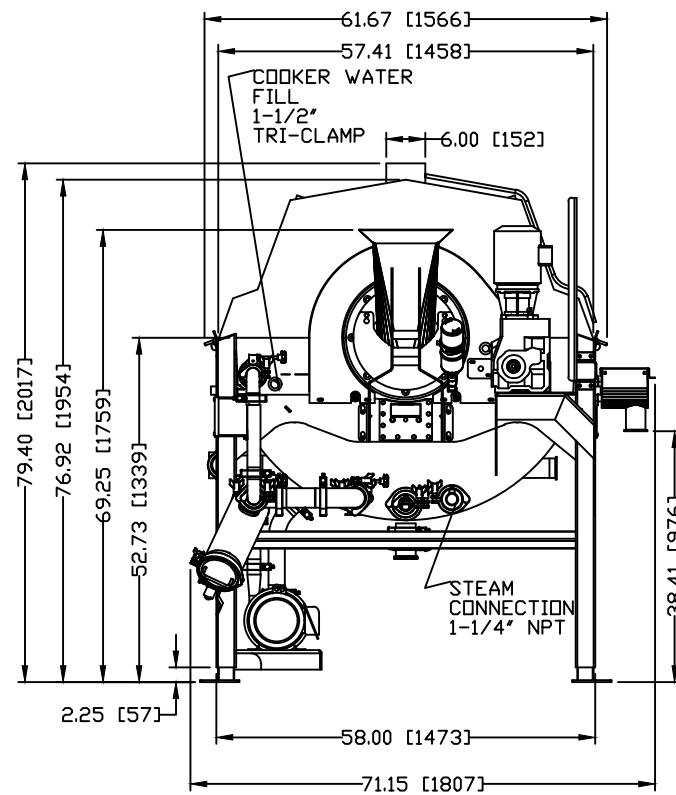
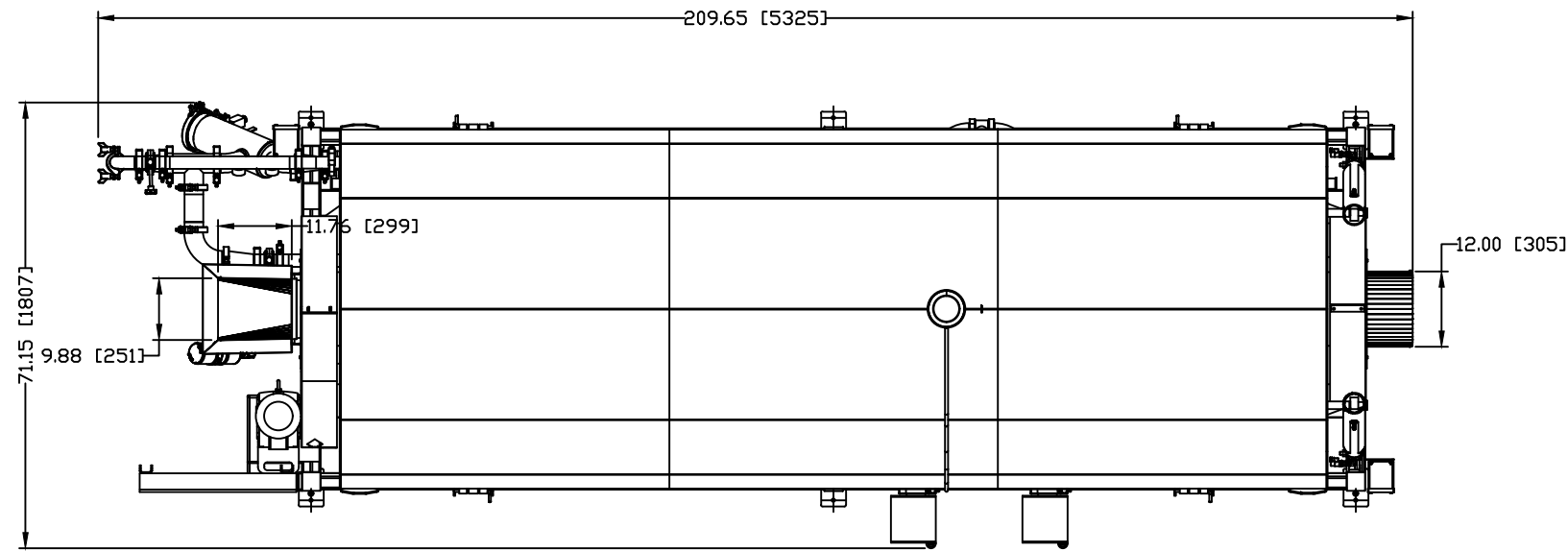
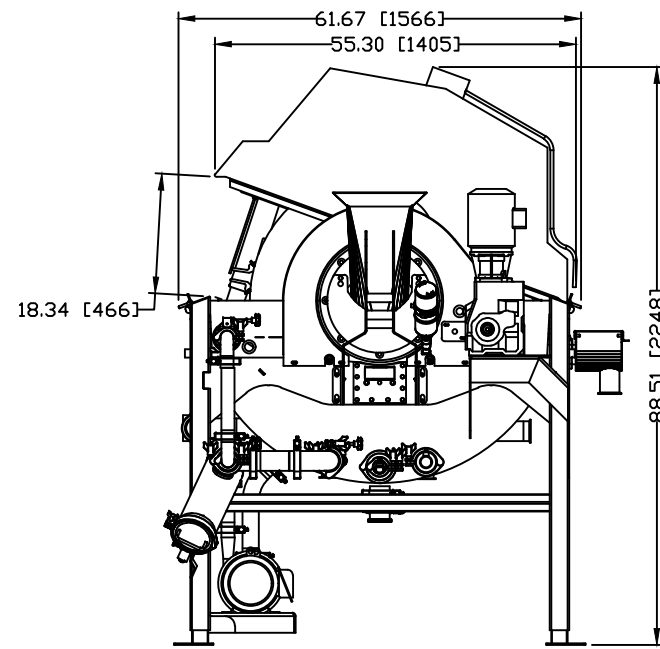


THIS DOCUMENT CONTAINS CONFIDENTIAL AND PROPRIETARY INFORMATION THAT CANNOT BE REPRODUCED OR DIVULGED, IN WHOLE OR IN PART, WITHOUT WRITTEN AUTHORIZATION FROM LYCO MANUFACTURING, INC.

THIS DRAWING IS REPRESENTATIVE OF GENERAL EQUIPMENT DIMENSIONS AND IS INTENDED FOR GENERAL LAYOUT PURPOSES ONLY. ONLY THE FINAL APPROVAL DRAWINGS SHOULD BE USED FOR DETAILED LAYOUT OR CONSTRUCTION PURPOSES



Lyco Manufacturing, Inc.
115 Commercial Drive
Columbus, WI 53925

ALL DIMENSIONS IN INCHES UNLESS NOTED	SCALE: 1 : 30	WEIGHT:	DRAWN BY: MWE
TOLERANCES: LOCATIONAL: FRACTIONAL ± .015" DECIMAL ± 0.01" BENDS: UNDER 10GA ± 0.020" 10GA ± 0.030" 7GA ± 0.040" OVER 7GA ± 0.060" ANGLES ± 0.5°	DATE: 06/26/2019	JOB #:	
	TITLE: 36"X8'/4' COOKER/COOLER INFED & DISCHARGE CHUTES		
	CUSTOMER:	DRAWING NUMBER: 3353272	

REV	DATE	DESCRIPTION	BY
A	7/17/2019	WITH COVER OPEN	MWE
REVISIONS			