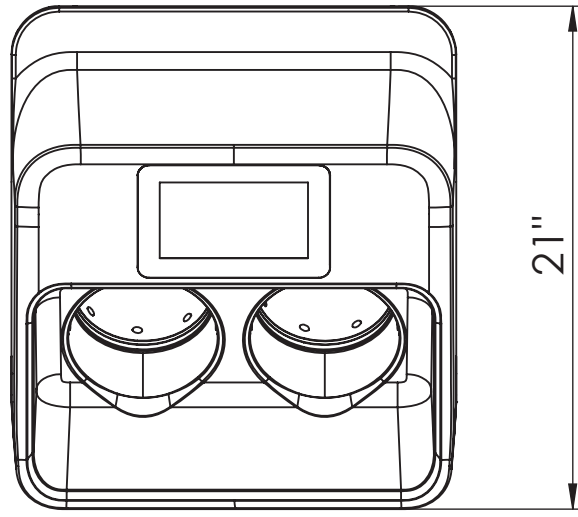


4

3

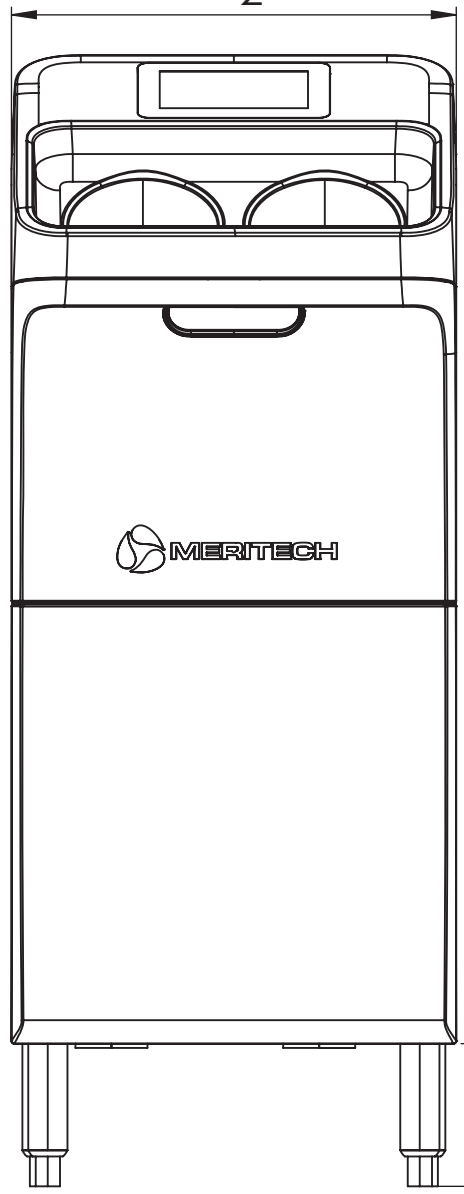
2

1

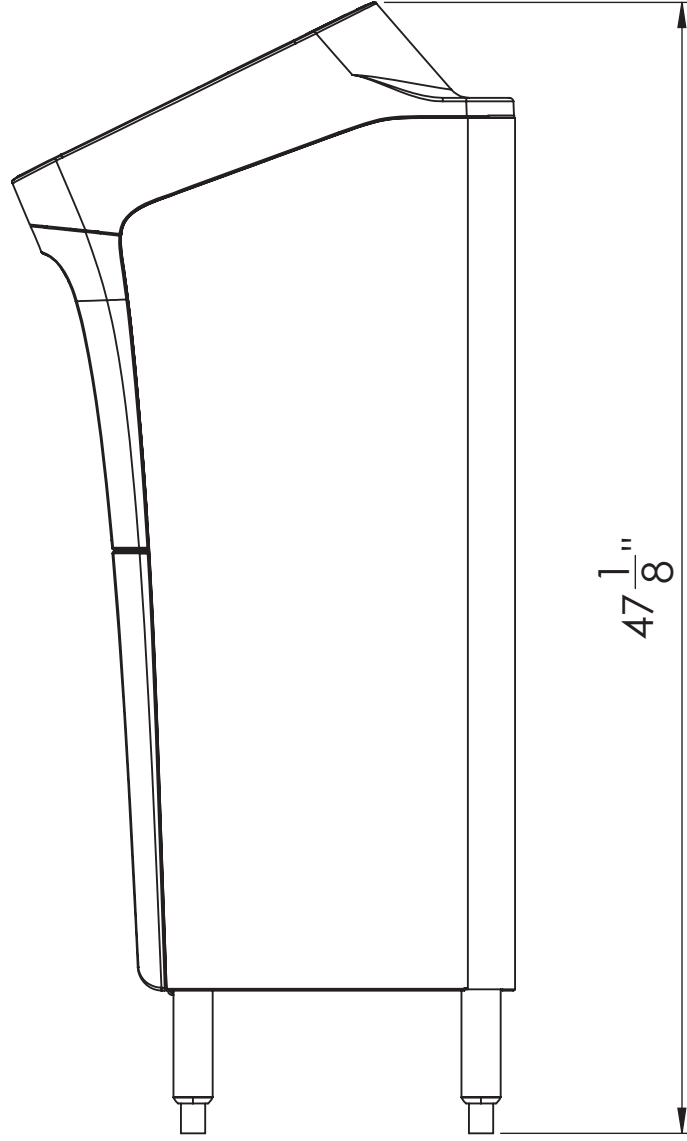


21"

18 1/2"



6"



47 1/8"



**MERITECH** 720 CORPORATE CR. SUITE K  
 GOLDEN, CO 80401  
 PH. 303-790-4670

TITLE:  
**EVO One**

SIZE  
**B**

SCALE: 1:8 WEIGHT: SHEET 1 OF 2

4

3

2

1

B

B

A

A

4

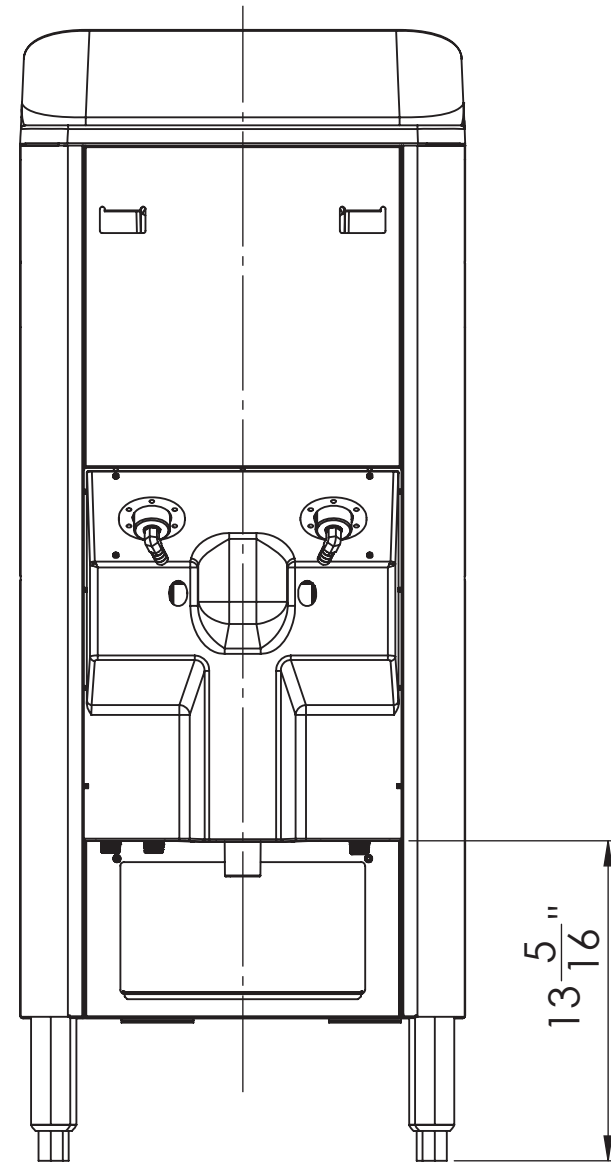
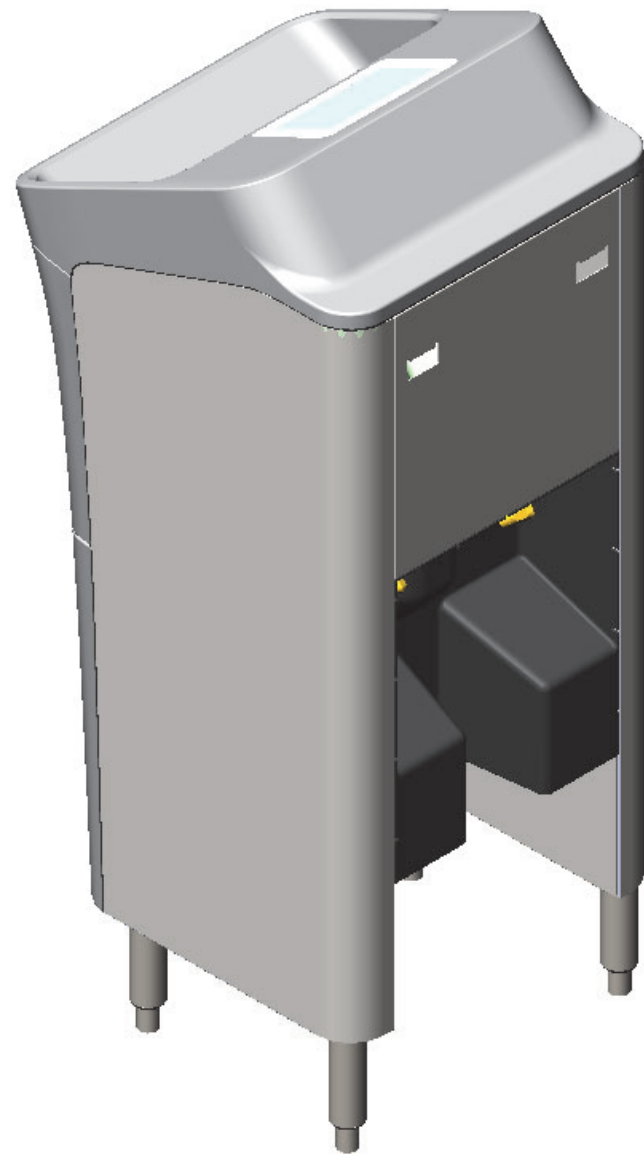
3

2

1

B

B

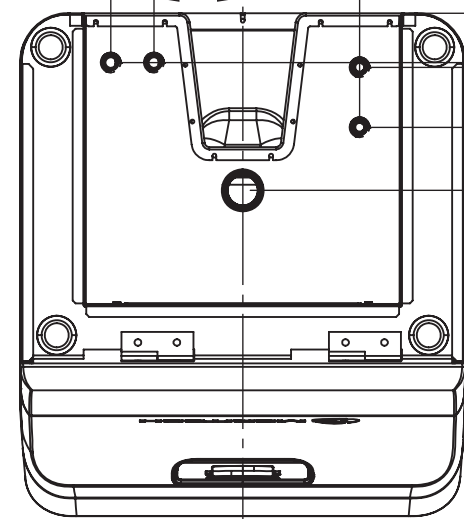


13 <sup>5</sup>/<sub>16</sub>"

5 <sup>1</sup>/<sub>2</sub>"

3 <sup>11</sup>/<sub>16</sub>"

4 <sup>7</sup>/<sub>8</sub>"



0"

2 <sup>1</sup>/<sub>16</sub>"

2 <sup>1</sup>/<sub>4</sub>"

4 <sup>3</sup>/<sub>4</sub>"

7 <sup>3</sup>/<sub>8</sub>"

A

A

**MERITECH** 720 CORPORATE CR. SUITE K  
GOLDEN, CO 80401  
PH. 303-790-4670

TITLE:  
**EVO One**

SIZE  
**B**

SCALE: 1:8 WEIGHT: SHEET 2 OF 2

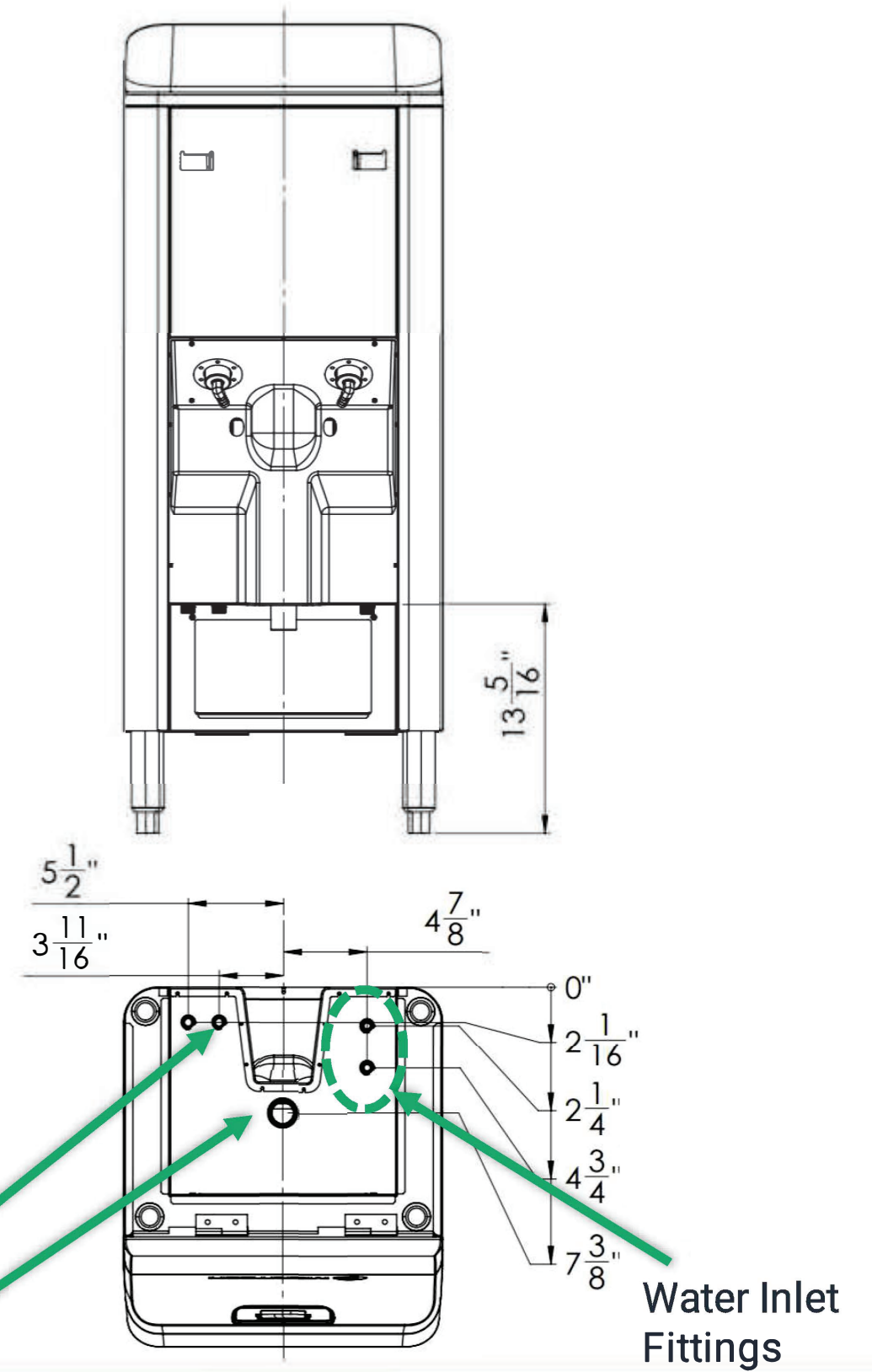
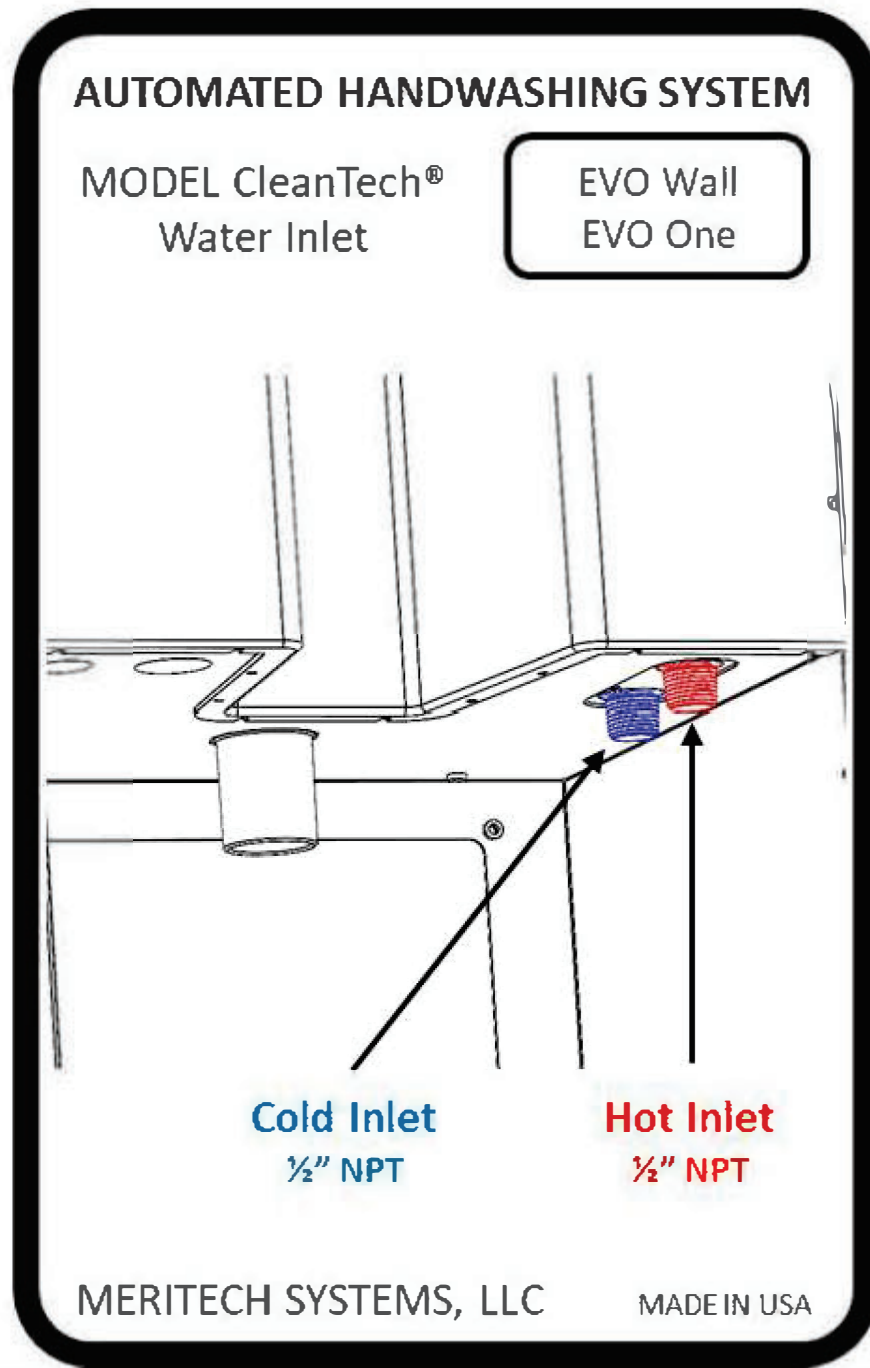
4

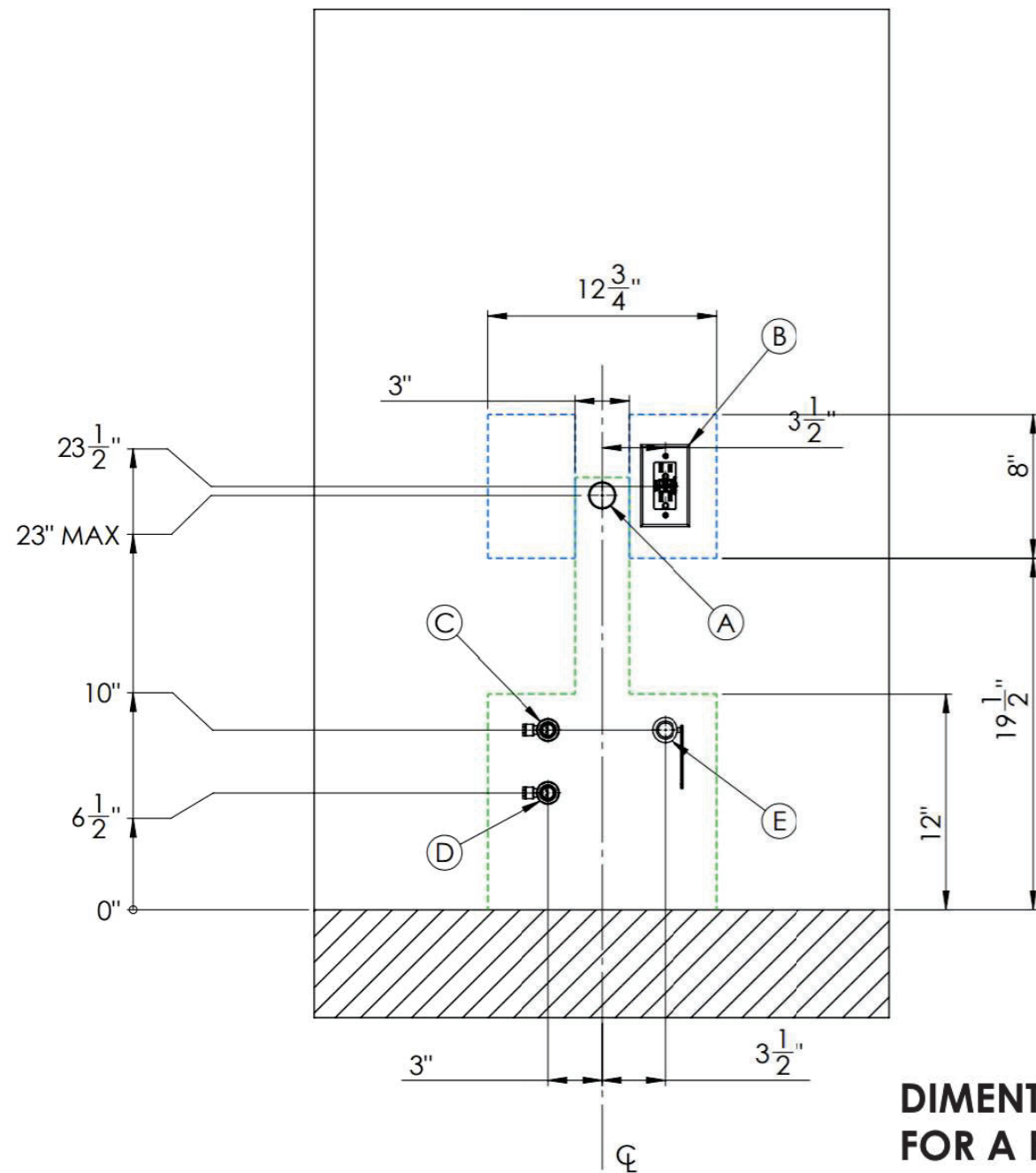
3

2

1

# EVO One Cut Sheets & Installation Rough-In Diagrams





A: WALL DRAIN STUB (1 $\frac{1}{2}$ " WASTE)

B: ELECTRICAL OUTLET (110 VAC, GFCI)

C: COLD WATER INLET (SHUTOFF VALVE W/  
3/8" COMPRESSION MIN.)

D: HOT WATER INLET (SHUTOFF VALVE W/  
3/8" COMPRESSION MIN.)

\*E: AIR INLET; 19 CFM @ 25-30 PSI, 50 PSI MAX  
( $\frac{1}{2}$ " BALL VALVE; PRESSURE REGULATOR  
SUPPLIED BY CUSTOMER)

**FACILITY LINE MUST BE AT LEAST 1/2" I.D.  
TO SUPPORT FLOW REQUIREMENTS**

*\*Air Inlet only required if Integrated  
Air Curtain feature was requested*

**DIMENSIONS SHOWN ARE SUGGESTED LOCATIONS  
FOR A FLUSH TO WALL INSTALLATION: ALL WATER FACILITIES  
MUST LIE WITHIN THE DASHED, GREEN AREA; ELECTRICAL  
FACILITIES MAY LIE IN THE BLUE OR GREEN AREAS**

**IF YOU SHOULD EXPERIENCE ANY  
DIFFICULTY OR ARE UNSURE ABOUT  
THE INSTALLATION PROCEDURE, WE  
ENCOURAGE YOU TO CONSULT  
IMMEDIATELY WITH MERITECH.**

Meritech Systems, LLC  
720 Corporate Circle, Suite K  
Golden, CO 80401 USA

Website: [www.meritech.com](http://www.meritech.com)

Phone: (800) 932-7707

Fax: (303) 790-4859

E-mail: [support@meritech.com](mailto:support@meritech.com)