

Continuous Bagmaker **VELOCITY**

Patented, independently phased, twin sealing jaws separate the Velocity from all other high speed machines, and virtually eliminate lost cycle time. This is the fastest VFFS machine in the world – no competition.



max.
speed

300
bpm

bag
size

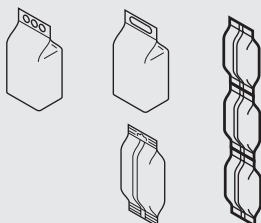
max.
300 × 400 mm (11.81" × 15.74")
min.
60 × 90 mm (2.36" × 3.54")



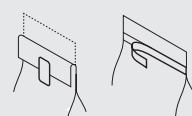
Bag
Types



Bag
Options



Recloseable
Solutions



Continuous Bagmaker VELOCITY In Detail

Viking Masek's continuous motion bagmaker Velocity is capable of true production speeds up to 250+ bpm. The unique center mounted filling tube and naturally counterbalanced sealing profile are designed to provide vibration free, extremely smooth operation at all speeds. Our color graphic operator interface coupled with "off-the-shelf" PLC controls ensures industry leading ease of use and the highest reliability. The Velocity is also extremely versatile, handling package sizes up to 300 mm (12") wide and multiple package styles.

Max. speed
300 bpm

Weight
900 kg (1,985 lbs)

Bag width
60–300 mm
(2.36"–11.81")

Air pressure
6 bar
(15–20 SCFM at 90 PSI)

Bag length
90–400 mm
(3.54"–15.74")

Power supply
6 kVA

features

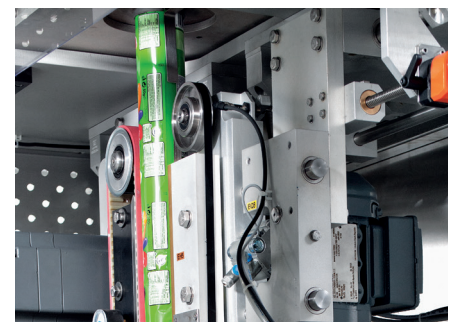
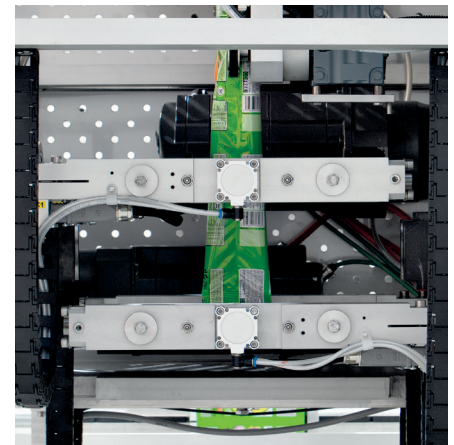


- Robust stainless steel frame
- Siemens or Allen Bradley control system
- Servo jaw actuation
- Patented, dual-jaws technology
- Vacuum pull belt
- Small footprint
- Short film path
- Minimal maintenance requirements
- Film unwind with tension control
- Product staggers
- Bag deflators
- Photo eye for bag length controls
- Runs most film structures
- Storage for 100 product recipes
- Quick film splice table
- No tool change-over
- Off-the-shelf components
- Jaw jam detection

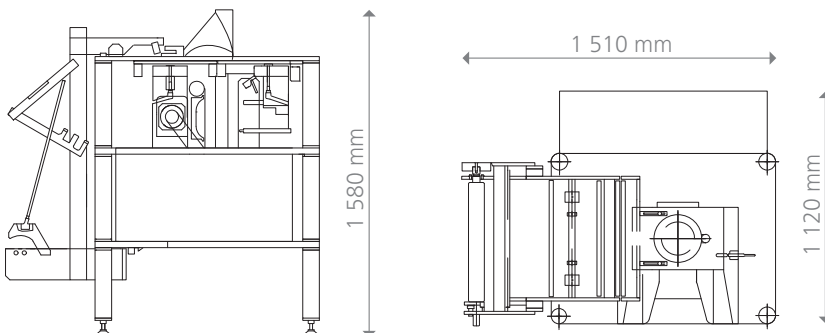
options



- Gusset assembly
- Washdown IP66 construction
- Gas flush
- Tear notch
- Round or Euro hole punch
- End-seal cooling air
- Promotion strip applicator
- Chain-bag capability
- Integration with variety of fillers
- Printers, metal detectors, label applicators, checkweighers
- In-feed and take-away conveyors



Machine drawings



Europe, Asia, Africa, Australia

Viking Mašek, a.s. | Průmyslová 1747 | 258 01 Vlašim | Czech Republic

Phone +420 317 850 500 | Email info@masek.cz | Website www.masek.cz, www.vikingmasek.cz

North and South America

Viking Masek Packaging Technologies, Inc. | 40 Woodland Court | Oostburg, WI 53070 |

USA Phone +1 920 564 5051 | Email sales@vikingmasek.com | Website www.vikingmasek.com