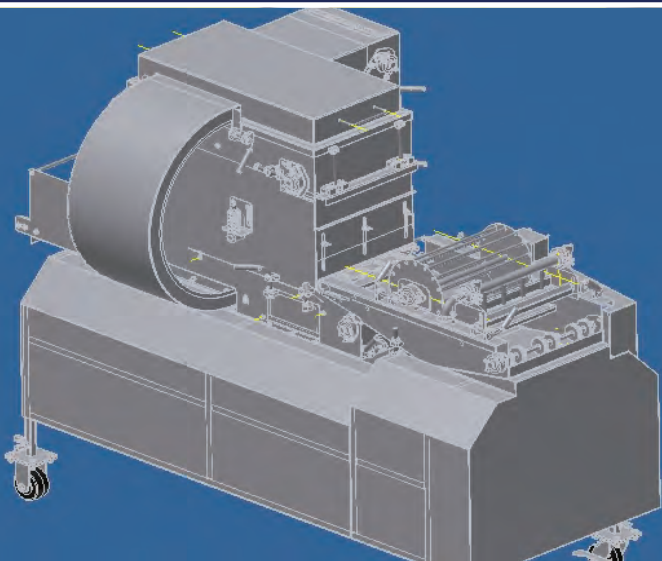


ABJ EQUIPMENT SPECIALISTS
REBUILDING THE FOOD PROCESSING INDUSTRY



FUSION BATTER BREADING MACHINE

**PRODUCTS
WORKMANSHIP
CUSTOMER SERVICE**

EZ Series Batter and Breading Equipment Line

MAKING PRODUCTS THAT MAKE A DIFFERENCE

ABJ Equipment will repair or replace any ABJ Manufactured component that fails due to defect in material or workmanship within twelve months from shipment.

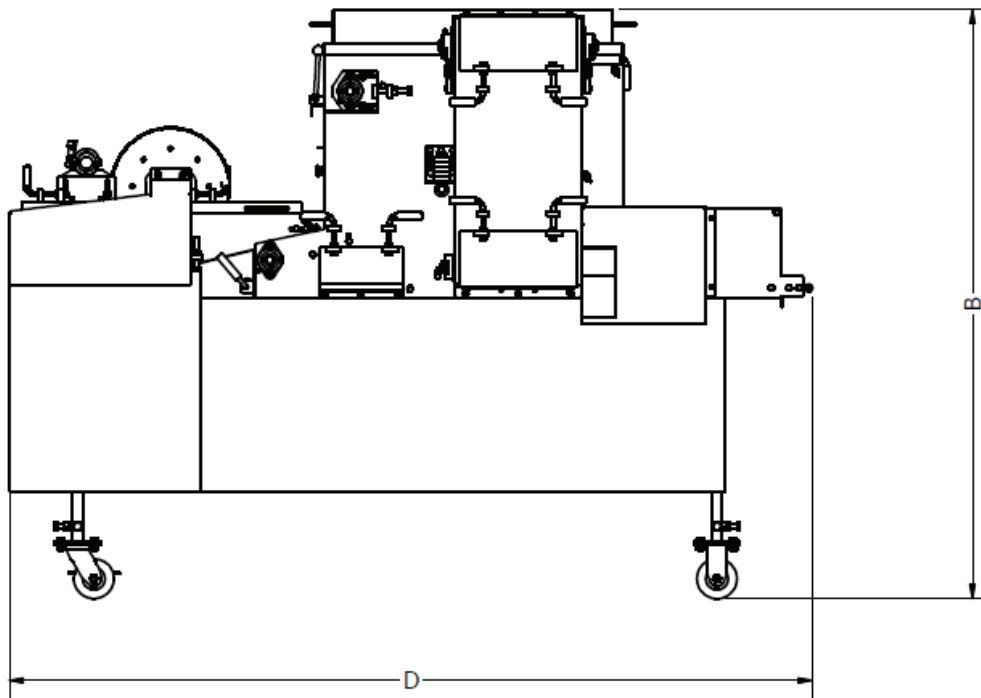
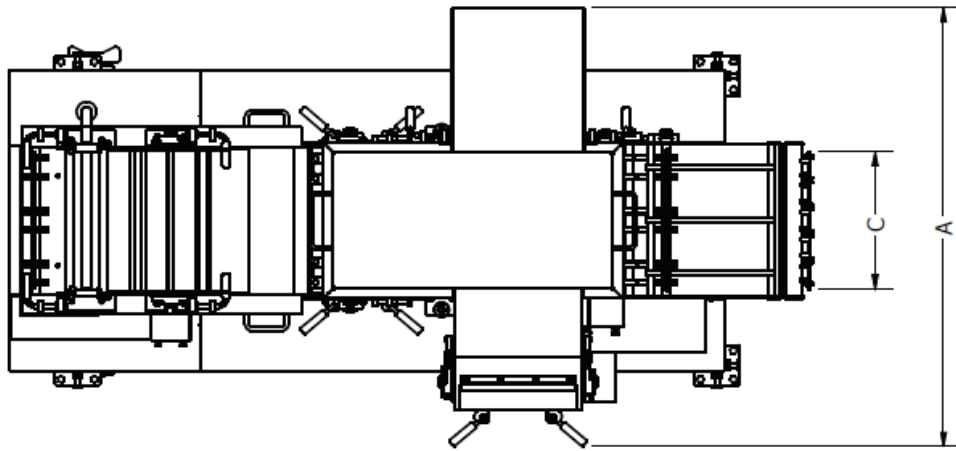
All OEM parts covered by individual warranties.

The Fusion, the only high volume batter applicator & breader combo machine on the market.

- Saves valuable floor space vs. two independent machines.
- Less than 7 ft long regardless of belt width.
- NO AUGERS.
- Eliminates the grinding or degradation of coating material.
- Only one operator required to run two machines.

Very easy to operate.

- EZ to maintain, very low maintenance costs.
- EZ to clean.
- Product flip eliminates the need for blow-off tubes.
- Blow-off tubes can be added as an option if desired.
- Batter applicator can be both overflow and submerge at the same time.
- Electric or hydraulic drives available. Low horsepower requirement.
- 14" model only requires 20 lbs of breading to run.



MODEL		Fusion-14	Fusion-16	Fusion-24	Fusion-34	Fusion-40	
A	(Overall Width)	Inches	44	46	54	64	70
B	(Overall Height)	Inches	59.25	59.25	59.25	59.25	59.25
C	(Usable Belt Width)	3/8" Pitch	14	16	24	34	40
D	(Overall Length)	Inches	80.25	80.25	80.25	80.25	80.25

Specifications Are Subject to Change Without Notice.
 Published by ABJ Engineering Department

Review Date: 01/04/2012