

FORMATIC FOOD PORTIONING & FORMING MACHINE ADVANCED LINES



- Gourmet System
- Retracting System
- Balling System
- Embossing System

DEIGHTON
innovative food processing solutions

Indexing/Retracting Systems



The indexing and Retracting systems from Deighton Manufacturing (UK) Ltd., allow the user to transfer a narrow width of products onto a wider belt for further processing or into a tray for packaging or freezing. Able to process a wide range of products including meat, fish, potatoes and vegetables as well as bakery and confectionary the indexing and retracting systems provide a reliable, cost effective solution to your product handling requirements.

The Retracting conveyors are available in widths of 200, 300, 400 & 600mm with strokes up to 1200mm available.

Indexing and feeding conveyors are available in widths of 200, 300, 400 & 600mm with lengths from 1m.



Other Formatic Models



Formatic S-Series - Stacker

S4000 & S4000/180 models give the ability to interleave and Stack product so can be packed easily. Stack height is controlled by a simple counter and can stack from 1 to 6 high

* Please refer to technical specification for detailed form dimensions.

Gourmet Burger System

The Gourmet Burger System From Deighton Manufacturing UK Ltd., allows the user to produce traditional Gourmet burgers with a homemade look and texture. The system consists of two belts that the product passes through, gently pressing the product to give the authentic look of a homemade burger.

The top belt is fully adjustable so as full range of sizes can be produced.

We recommend the system is used in conjunction with the Formatic 180 forming machine. The system is able to produce up to 8000 burgers per hour.

- ▶ Adjustable belt speed for interface with Formatic range
- ▶ Reliable, versatile and cost effective
- ▶ Suitable for the processing of a wide range of products
- ▶ Adjustable top belt height
- ▶ Easy to operate, maintain and clean



Formatic Drums



The Formatic drum provides the food processor with the flexibility to produce multiple product lines quickly and easily. In-house manufacturing skills enable Deighton Manufacturing U.K. Limited to tailor every drum to our customers' unique design requirements, and with the ability to produce virtually any two dimensional shape, the product possibilities offered by the Formatic are endless!

A combination of different drum surface finishes and paddle configuration ensure the Formatic's success in a host of food processing industries. Not only is the equipment ideal for producing Beef burgers, Chicken, Pork or Lamb burgers plus nuggets, fish produce and a range of vegetarian and ethnic food products i.e. Falafel, Aloo Tikki, Pakora and onion bhaji the Formatic has achieved equal success forming cookies, shortbread or novelty biscuits, Flapjack, health food bars and Xmas puddings in the bakery industry as well as Butter portions for the catering and ready meals industry.

The 180 Drum has a set of forms cut every 180 degrees doubling the capacity of the standard machine.

EconoBall/Meatball Making Machine



The new British made EconoBall Automatic Meat Ball Rolling Machine can turn economy cuts in to premium products.

Can produce over 6000 meatballs per hour.

The EconoBall Meat Ball Rolling Machine is used in conjunction with the Formatic R2200 so other shapes and sizes can be produced.

- ▶ Adjustable belt speed for interface with Formatic range
- ▶ Reliable, versatile and cost effective
- ▶ Suitable for the processing wide range of ball diameters
- ▶ Available in 200, 300, 400 and 600 widths
- ▶ Easy to operate, maintain and clean



Optional Extras

Automatic Wire Cleaning

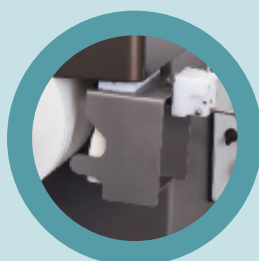
Automatically cleans the scraper wire after every product is formed which saves the operator from having to try and clean it manually; Must be connected to a compressed air supply of at least 4 bar, 0.12 cubic metres per minute.

IMPORTANT the scraper shaft must be lubricated at the start of the production when using this accessory. Recommended for larger capacity production and when the formatic is used in production line applications.



Auto Papering

Automatically applies paper to underside of formed product, easy to operate, easy to load, easy to adjust and easy to clean. Can take up to 5 inch paper (127mm) as standard.



Hoppers

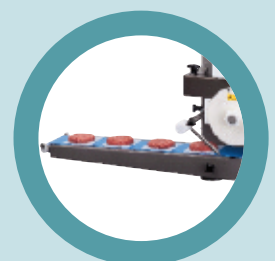
Different size Hoppers from 20L TO 200L FDA & USDA approved material, 3mm thick solid 304 food grade Stainless Steel, easy to remove easy to clean.



Extended Conveyors

Extended Conveyors also available.

* Please refer to technical specification for detailed form dimensions.



Form Shape Specifications



R-Series

Number of Shapes On Drum	Maximum Length	Maximum Width	Maximum Diameter	Maximum Thickness
1	140mm	120mm	120mm	24mm
2	120mm	55mm	55mm	24mm
3	110mm	35mm	35mm	24mm
4	140mm	20mm	20mm	24mm

C-Series - D12000

Number of Shapes On Drum	Maximum Length	Maximum Width	Maximum Diameter	Maximum Thickness
1	140mm	135mm	135mm	24mm
2	120mm	62mm	62mm	24mm
3	110mm	40mm	40mm	24mm
4	100mm	26mm	26mm	24mm

R-Series Deep Drop

Number of Shapes On Drum	Maximum Length	Maximum Width	Maximum Diameter	Maximum Thickness
1	110mm	120mm	120mm	34mm
2	90mm	55mm	55mm	34mm
3	80mm	35mm	35mm	28mm
4	70mm	20mm	20mm	28mm

C-Series Deep Drop

Number of Shapes On Drum	Maximum Length	Maximum Width	Maximum Diameter	Maximum Thickness
1	120mm	130mm	130mm	34mm
2	100mm	60mm	60mm	34mm
3	80mm	40mm	40mm	28mm
5	70mm	26mm	26mm	28mm



WE CAN SUPPLY VIRTUALLY ANY SHAPE THAT YOU MAY REQUIRE
provided that it will fit within the maximum dimensions given above.

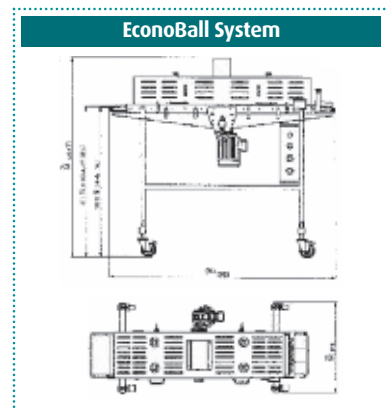
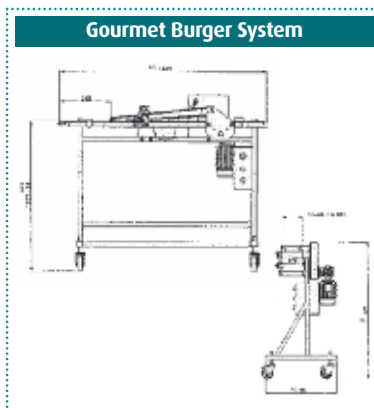
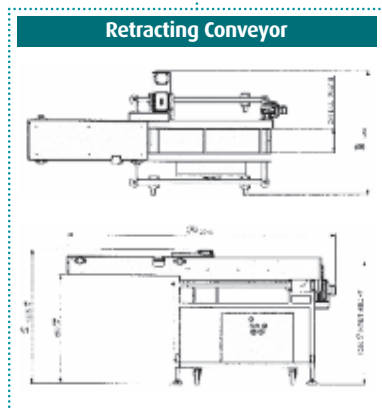
Technical Specification



All Formatic models are constructed from fully approved material on all food contact surfaces.

Each model is equipped with three safety interlock devices to ensure safe operation.

The hopper, form drum and conveyor are removable for easy cleaning.



RETRACTING MACHINE	Length (A)	Width (B)	Height (C)	Weight	Power	Electricity Supply	Conveyor (Belt Speed)	Retracting (Belt Speed)
200mm	1400mm	820mm	1095mm	70kg	450w	220/240v 50Hz	0.029 to 0.288m/sec	0 to 1m/sec
300mm	1600mm	820mm	1095mm	80kg	450w	220/240v 50Hz	0.029 to 0.288m/sec	0 to 1m/sec
400mm	1800mm	820mm	1095mm	90kg	450w	220/240v 50Hz	0.029 to 0.288m/sec	0 to 1m/sec
800mm	2200mm	920mm	1095mm	120kg	1Kw	220/240v 50Hz	0.029 to 0.288m/sec	0 to 1.2m/sec
1000mm	3100mm	920mm	1095mm	180kg	2.2Kw	380/415v 50Hz	0.029 to 0.288m/sec	0 to 2m/sec
1250mm	3600mm	920mm	1095mm	220kg	2.2Kw	380/415v 50Hz	0.029 to 0.288m/sec	0 to 2.5m/sec

FLATTENING MACHINE	Length (A)	Width (B)	Height (C)	Weight	Power	Electricity Supply	Conveyor (Belt Speed)
Flattering	1419mm	620mm	1206mm	60kg	370w	220/240v 50Hz	2 to 20m/min

ECONOBALL MACHINE	Length (A)	Width (B)	Height (C)	Weight	Power	Electricity Supply	Conveyor (Belt Speed)
EconoBall	1535mm	636mm	1358mm	93kg	240w	220/240v 50Hz	1 to 10.6m/min

*Other voltages available on request i.e. 110/115v single phase - 380/410 3 phase. All machines 50-60Hz

DEIGHTON
innovative food processing solutions

Gibson Street, Leeds Road, Bradford
West Yorkshire BD3 9TR, England

Tel: +44 (0)1274 668771

Fax: +44 (0)1274 665214

email: sales@deightonmanufacturing.co.uk

website: www.deightonmanufacturing.co.uk

AVAILABLE FROM: