
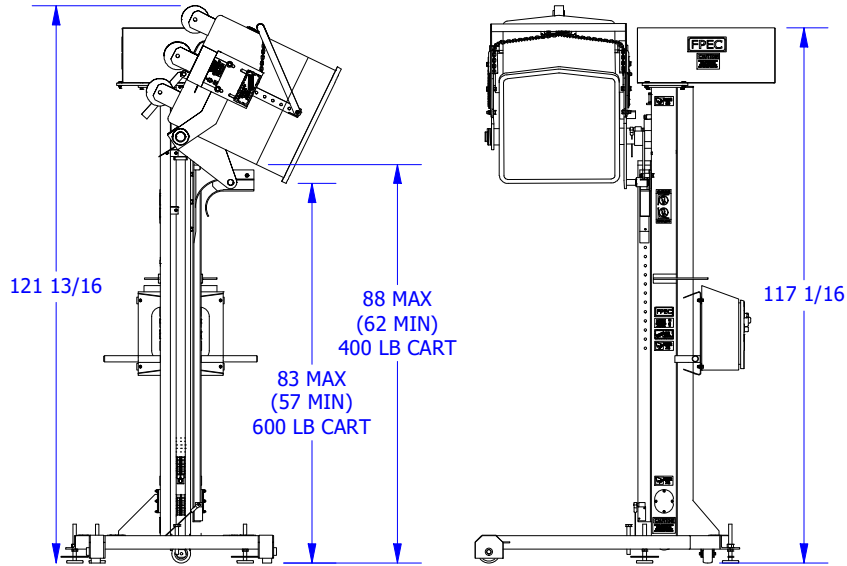
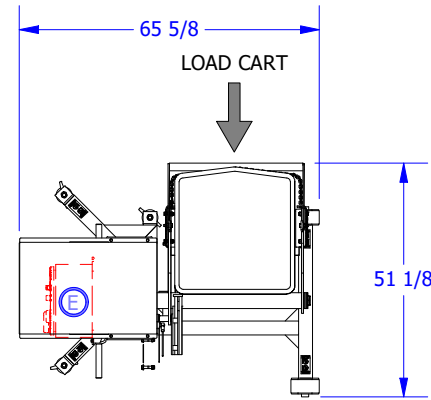
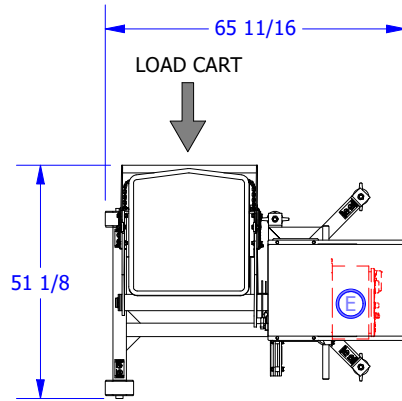
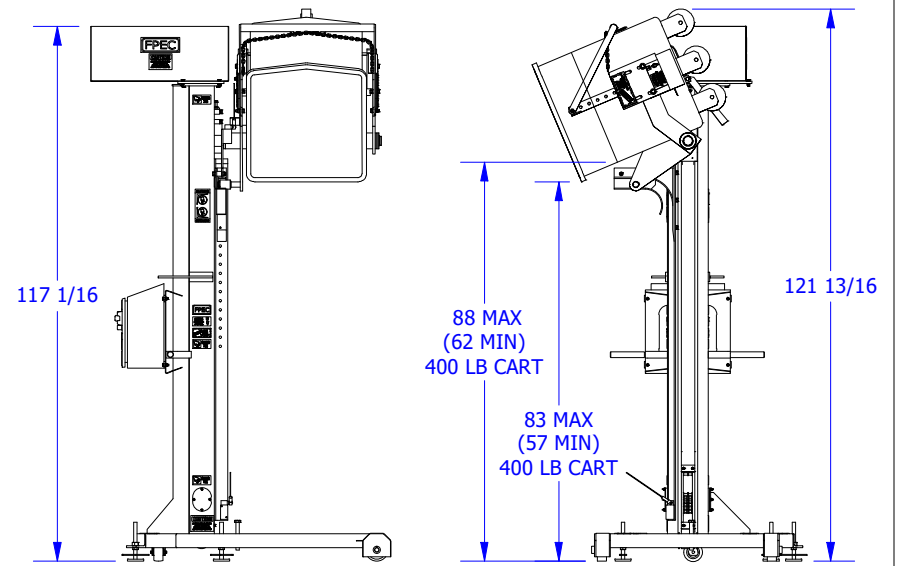


UTILITIES:

- ELECTRIC - 15 AMPS @ 460V 
- APPROXIMATE WEIGHT - 1,000 LBS



LEFT HAND UNIT



RIGHT HAND UNIT

FPEC

F.P.E.C. CORPORATION, dba
FOOD PROCESSING EQUIPMENT CO.
2216 FORD AVE. SPRINGDALE, AR

CONFIDENTIAL

THIS DRAWING AND THE INFORMATION, DESIGNS, AND IDEAS CONTAINED THEREON ARE THE EXCLUSIVE PROPERTY OF F.P.E.C. CORPORATION AND SHALL NOT BE REPRODUCED, COPIED, OR DUPLICATED IN WHOLE OR IN PART, NOR SHALL THE ITEMS DESCRIBED BE PRODUCED WITHOUT THE EXPRESS WRITTEN CONSENT OF F.P.E.C. CORPORATION © 2016 F.P.E.C. CORPORATION

DRAWN BY:
cburkett

DATE:
5/19/2022

SCALE:

SIZE: REVISION:
A 1

DRAWING NO:
S-0074-W
SHEET
1 OF 1

DRAWING DESCRIPTION:
83" PORTABLE CART LIFT APPROVAL