



Dual Bed Desiccant Dryers—Micro Models

Standard dual-bed drying technology that guarantees - 40°dew point process air.

One blower and multi-function valve control both the process and regeneration flow. The heaters are contained within the desiccant beds to minimize space.

— 5 —
YEAR
warranty



Self-Contained Dryer/Hopper Design

Twin desiccant beds, integral heaters and a drying hopper are included in a compact unit.

Choice of Configurations

NDB Micro-Dryers are available in models to mount on a floor stand; directly on a machine throat or as a Dry/Convey package.

Compact Design

One blower and a multi-function valve control both the process and regeneration heaters which are contained within the desiccant beds to save space.

Integrated Drying Hoppers

Stainless steel insulated hoppers with large access door and sight glass [200 lb.(90 kg)] hopper is carbon steel.

Mini PLC Control Standard

Over-temperature alarm and shutdown with indication

Auto-tune PID temperature control with dual LED display

Calibration feature and set point secure switch

Full function graphic display.

NovaTouch™ Touch Panel Siemens PLC Control

A popular option on standard packages and standard on Dry/Convey Packages.

5-Year Warranty

For lowest cost of ownership.

Plus

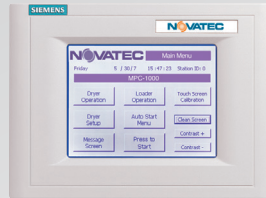
- › Standard voltage: 460/1/60 for NDB-15, 460/1/60 for NDB-25, 460/3/60 for NDB-50
- › Cyclonic 2 stage process filter
- › High heat up to 350° F (cooling coil required over 225° F)
- › Tubular Incoloy® sheath heaters
- › Nema 1 enclosure
- › Main line contactor
- › 13X Desiccant
- › Slide gate shut off
- › Analog thermometer at hopper inlet
- › 5-Year warranty

Optional NovaTouch™ Touch Panel PLC



To enhance the command and control of your NBD series dryers, Novatec offers the optional NovaTouch PLC touch panel with outstanding benefits and features.

- Easy-to read touch screen
- Built-in prompts simplify use
- Components available locally
 - Touch panel calibration
 - Contrast/clean screen
 - Multi-level password setup

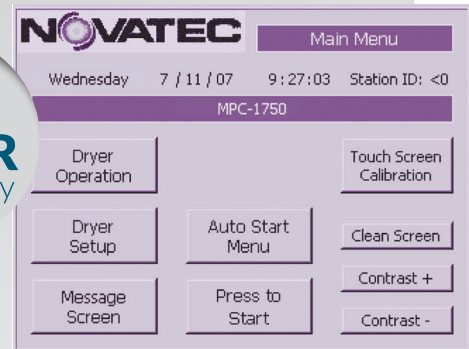


Feature	LOGO! Mini PLC	NovaTouch
Touch screen technology	X	✓
Control temperature #1	✓	✓
Control temperature – 2nd set point	X	✓
Over-temperature alarm and shutdown	✓	✓
Hygro dew point sensor	X	✓
Real-time clock	X	✓
Seven day timer	X	✓
High/low temperature alarm	X	✓
Bed status	✓	✓
Auto start/stop	X	✓
Warning and error messages	X	✓
Dew point changeover	X	✓
Blower differential pressure switch	X	✓
Calibration feature and set point secure	X	✓
Set deviation limits	X	✓
Language capabilities	X	✓
PLC diagnostics	X	✓
Adjust PID settings	X	✓
Dynamic cool	X	✓
NEMA 12 enclosure	X	✓

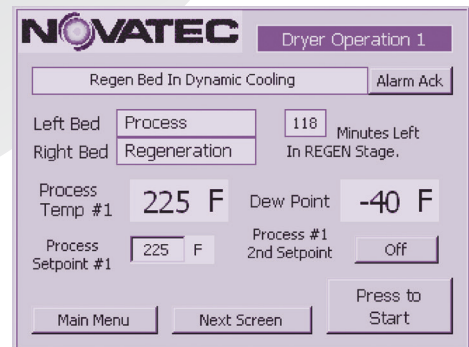
Note: The optional NovaTouch, when chosen, controls loader operation.

* NovaTouch™ Custom Options:

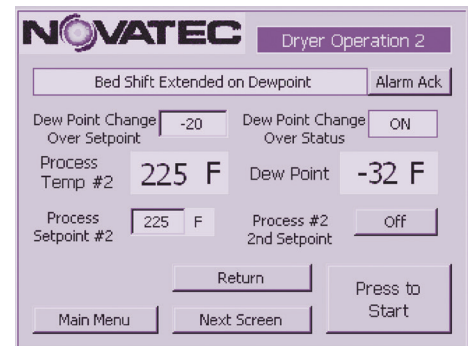
- › Plug and play communications modules for Modem Modbus, Profibus and MPI are inexpensive and easily added options. Ethernet, with or without embedded web page, DeviceNet, CAN Bus and ASI protocols are available.
- › EEPROM memory card
- › Battery backup for real-time clock
- › Custom setup for:
 - MoistureManager (Patent number 6,289,606)
 - Energy saver



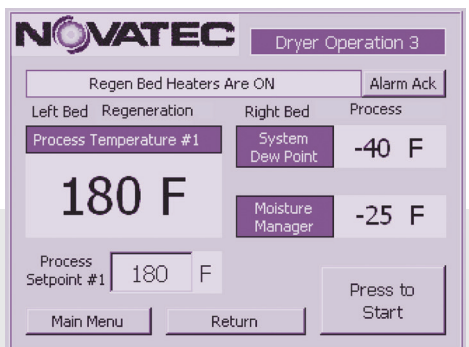
Main menu provides access to operation screens displaying parameter entry points.



Dryer Operation 1 displays bed status, process temperatures and dew point.



Dryer Operation 2 displays system status, dew point changeover set point and status.



Dryer operation 3 displays system status, bed status and dew point for the optional MoistureManager.

Options: Show as separate line item on order.

NovaTouch™ PLC Control: Add “-N” after main part number

Dew Point Meter

7-Day Timer

Alternate Hopper Size: See chart below

Alternate Voltage: 230/3/60 and 575/3/60

Standard Dryer Part Number	Standard Hopper Size		Alternate Hopper Size	
	lb	Kg	lb	Kg
NDB-25	100	45.5	60	27.3
NDB-50	200	91	NA	NA

Accessories: Shipped separately – show as separate line item on order.

Floor Stand

Floor Stand Casters: 5” (set of 4)

Short Run Diffuser Tube

Capacitance Bracket Only

Capacitance Switch: 24VDC, 115VAC

Cooling Coil: With or without plasticizer trap.

Required when process temperature over 225° F. (107° C.)

Vacuum take-off boxes – See separate data sheet

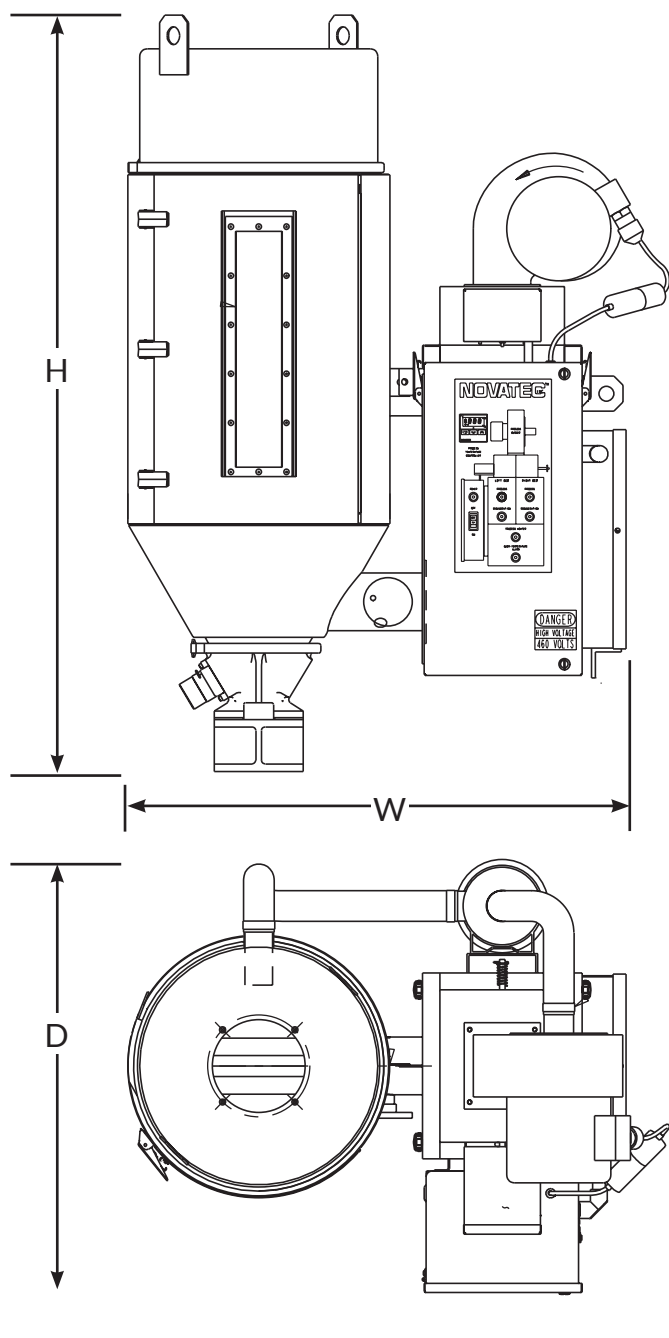
Standard Dryer Part Number	*Throughput Capacity Up To	
	lb/hr	Kg/hr
NDB-25	25	11
NDB-50	100	22

* Nominal throughput, based on polycarbonate pellets at 38 lb/ft³

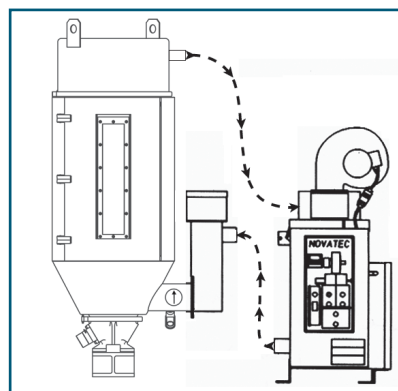
Specifications:

Model Number	Process Rate		Overall Dimensions						Process Air Duct Diameter		Weight	
			W		D		H					
	lb/hr	Kg/hr	in	cm	in	cm	in	cm	in	cm	lb	Kg
NDB-25	25	11	35	89	29	74	50	127	3.875	9.84	530	241
NDB-50	50	22	43	109	30	76	60	153	5.875	14.92	725	329

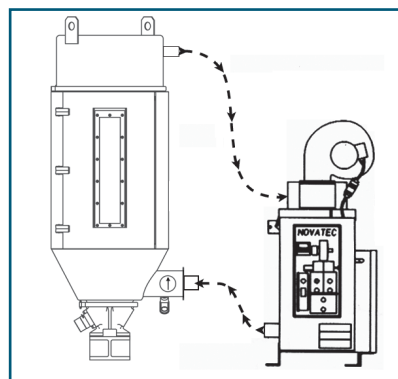
Standard NDB Micro Configuration



Custom* NDB Micro Configurations



A separate drying hopper equipped with a process heater, thermometer, power cord for the process heater and a 20 ft (6m) thermocouple connection is designed to mount on the process machine utilizing an optional adapter. It can also be mounted on a floor stand.



The hopper can be mounted on a floor stand or directly on process machine and the process heater is in the dryer.

* Custom configurations are priced accordingly and lead times are extended.