

**HOBART**

FOOD EQUIPMENT

**5801 SERIES  
MEAT SAW****DURABLE, CONSISTENT  
PERFORMANCE****PRODUCTIVITY . . .**

Tri-rail carriage support and ball bearing design provides feather-glide operation. Results in less operator fatigue and maximum productivity.

**CLEANABILITY . . .**

The unique design of the Hobart Model 5801 vertical saw allows for improved cleanability over any other vertical saw on the market.

The total open construction and complete hose down capabilities including the water resistant motor makes the 5801 Saw easy to clean and to sanitize.

The enclosed bone dust system with its large, lower scrap pan keeps the bone dust where it belongs.

No tools are needed for removal of parts, including both pulleys, and our exclusive two-piece table and open frame design make sink-washing or high pressure hose-down a cinch.

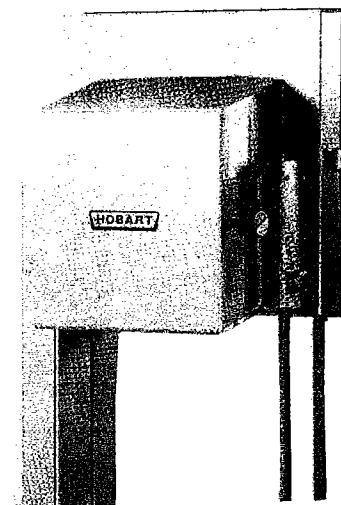
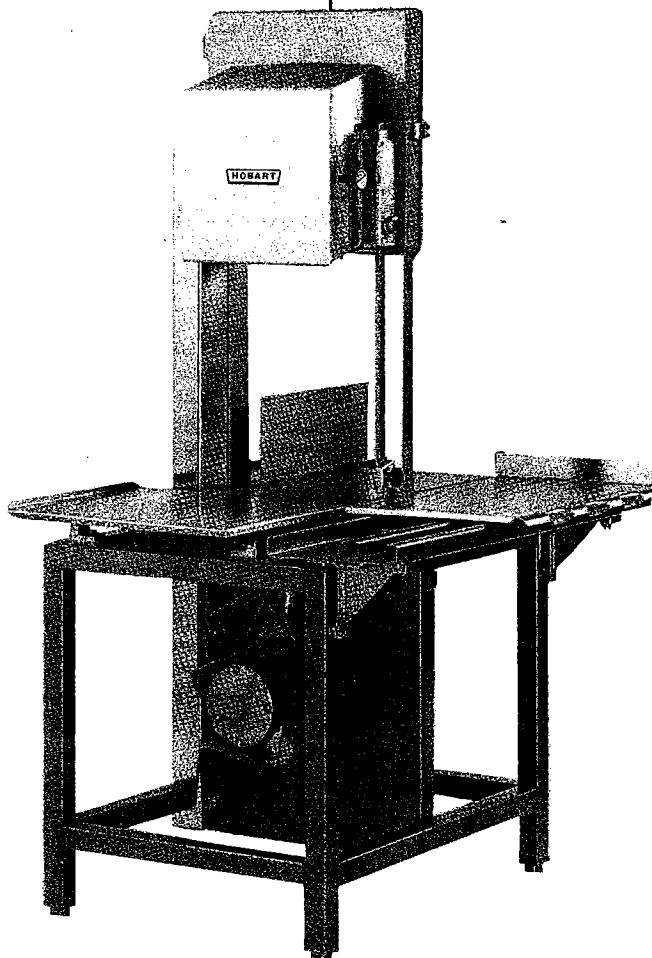
**RELIABILITY . . .**

Cutting power, where you need it, is assured with our standard 3 HP motor and direct gear drive transmission - there are no belts to replace, slip out of adjustment or break.

**CONVENIENCE . . .**

The eye-level "on-off" switch is easy to find and easy to reach. And the positive-lock, quick release gauge plate saves adjustment time.

Specifications, Details and Dimensions on Reverse Side.



Optional stainless steel  
top cover available.

# 5801 SERIES MEAT SAW

# HOBART

FOOD EQUIPMENT

**SPECIFICATIONS** Listed by Underwriters Laboratories Inc and National Sanitation Foundation. USDA Listed.

**MOTOR:** 3 H.P., totally enclosed, flange mounted motor with grease-packed ball bearings, water resistant.

**ELECTRICAL:** Available in 230/60/1, 200-230/60/3, 460/60/3. Also available in 220/50/3, 380/50/3/N, 415/50/3/N, not submitted for UL Listing.

**ELECTRICAL CONTROLS:** Single pull-to-start, push-to-stop switch, motor controlled by contractor. Heater provided with each control to prevent moisture condensation on electrical components. Voltages over 250 have a pilot circuit transformer with fused secondary (60 Hz. only). Motor overload protection is available at extra cost (standard on 50 Hz.).

**DRIVE:** Direct gear drive transmission, helical gear reduction. Blade speed; 3500 fpm.

**SAW BLADE:** 5/8" wide x 142" long.

**PIVOTED TENSIONER:** Entire motor, transmission and lower pulley assembly is pivot mounted with blade tension control accessible just below right table. Simple adjustment allows for broad blade length tolerance.

**BLADE GUIDES AND CLEANERS:** Lower "lift-out" guide assembly has stainless steel blade guide with built-in tungsten carbide blade back-up. Upper guide and back-up block assembly is removable for cleaning.

Both blade cleaners and guide assemblies are easily removed without use of tools.

**PULLEYS:** Interchangeable bright tinned cast iron upper and lower blade pulleys are identical, interchangeable, and can be easily removed for cleaning. True-running of the blade is assured by precision pulley balance, and blade-retaining double flanges.

**CAPACITY:** Cutting clearance 17 1/2" H x 15 3/4" W.

**STATIONARY CUTTING TABLE:** Two piece, 21 1/2" x 39 5/8", heavy stainless steel with turned down edges for rigidity, fully supported for heavy duty use. Provides extensive stacking space and easy breakdown for cleaning.

**MOVABLE CARRIAGE TRAY:** Stainless steel, turned down edges provide reinforcement for rigidity, 16" D x 24 1/4" W. Stepped front edge makes movement of carriage fast and easy. Stainless steel ball bearings, mounted on underside of carriage assure stability and easy travel, even when operator leans heavily against carriage. Carriage lock is provided as standard equipment.

**GAUGE PLATE:** Rugged stainless steel plate on aluminum cast frame, 6 3/4" x 16 3/4". Adjustment gives quick, positive

regulation of cut thickness with precision. Easily disengaged for adjustment. Exclusive design of gauge plate end permits quick removal of cuts for stacking.

**TUBULAR FRAME AND COLUMN:** Rigid, open construction with easy to clean, heavy duty support.

**SAFETY FEATURES:** Upper and lower pulleys are completely enclosed, but readily accessible. Blade is guarded above and below the cutting zone. To eliminate the necessity of handling items close to blade, a pusher plate is provided. Adjustable legs provided for leveling.

**SANITATION:** The removable lower pulley enclosure doubles as the lower scrap pan, reducing cleaning time.

The two-piece table and open tubular frame eliminate enclosed motor compartment and where dirt and odor can collect. Scrap leakage is minimal due to scrap containing system.

**OPTIONAL LEG HEIGHTS:**

2" (Std.) 1 3/4" to 2 1/4"

4" 3 3/4" to 4 1/4"

**FINISH:** Frame is stainless steel.

**WEIGHT:** Net 430 lbs. Shipping: approx. 570 lbs.

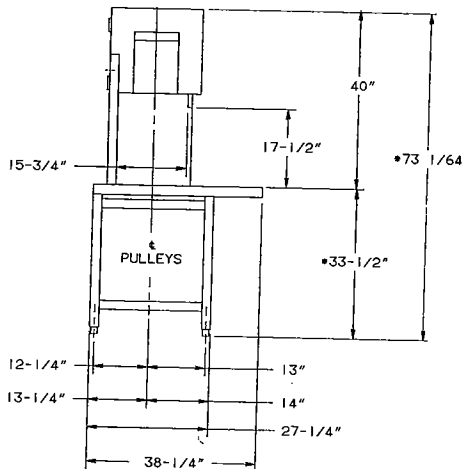
As continued product improvement is a policy of Hobart, specifications are subject to change without notice.

## DETAILS AND DIMENSIONS

MACHINE IS PARTIALLY DISASSEMBLED FOR SHIPMENT. CRATED MACHINE WILL PASS THROUGH A 33" OPENING.

NET WEIGHT: 430 LBS.  
SHIPPING WEIGHT: APPROX. 570 LBS.

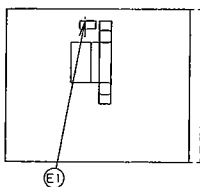
LEGEND:  
EI-ELECTRICAL CONNECTION



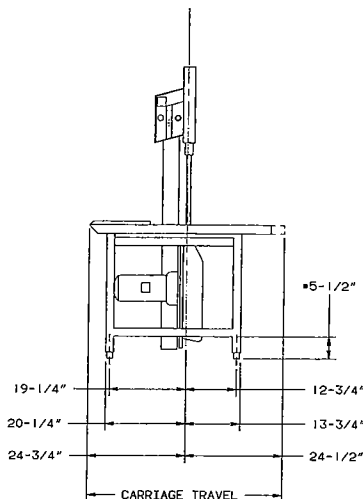
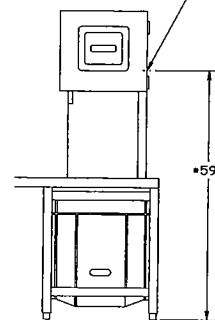
\* THESE DIMENSIONS MAY INCREASE AS MUCH AS 1" DEPENDING ON LEG ADJUSTMENT.

### WARNING

ELECTRICAL AND GROUNDING CONNECTIONS MUST COMPLY WITH APPLICABLE PORTIONS OF THE NATIONAL ELECTRICAL CODE AND/OR OTHER LOCAL ELECTRICAL CODES. CONNECTION OF CONDUIT TO BASE MUST BE MADE USING A WATERPROOF FITTING OF PROPER SIZE AND DESIGN



7/8" DIA HOLE LOCATED AS SHOWN ON BACK OF COLUMN FOR CABLE OUTLET



EXECUTIVE OFFICES  
TROY, OHIO 45374