



RV Series

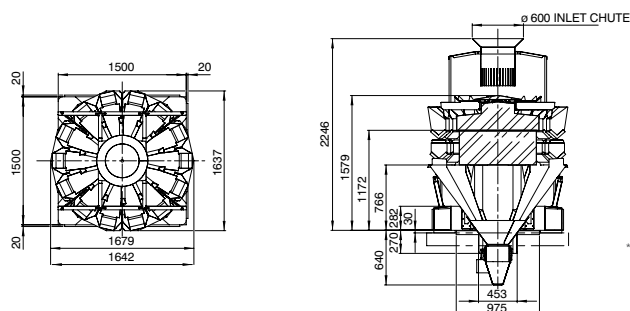
CCW-RV-210W-1S-50/70-SS/WP
CCW-RV-214W-1S-50/70-SS/WP

High performance, high accuracy for dry to sticky applications

Designed to handle a varied range of different product applications, the RV series is Ishida's highest performing range. Featuring high technology as standard and designed to achieve very high speeds, precision and accuracy and offering the broadest range of bespoke solutions to satisfy customers' individual high performance needs.

- ▲ Suitable for a wide range of challenging product applications
- ▲ For large target weights of medium and large piece sizes
- ▲ Achieves maximum speeds of up to 110wpm

Dimensions



*Dimensions vary with the application

Performance	CCW-RV-210W-1S-50-SS/WP		CCW-RV-210W-1S-70-SS/WP		CCW-RV-214W-1S-50-SS/WP		CCW-RV-214W-1S-70-SS/WP	
Max. weighing speed*	55 WPM		55 WPM		110 WPM		90 WPM	
Max. vol. for weighing (per single dump)	10 litres		14 litres		10 litres		14 litres	
Max piece length	170mm		270mm		170mm		270mm	
Weighing capacity setting (per head)	2000g	4000g	2000g	4000g	2000g	4000g	2000g	4000g
Minimum graduation	0.5g	1.0g	0.5g	1.0g	0.5g	1.0g	0.5g	1.0g
Machine target weight range	105-4000g	375-8000g	105-4000g	375-8000g	105-4000g	375-8000g	105-4000g	375-8000g
Specification								
Touch screen display (RCU)	12.1" Colour LCD Display							
Number of presets	200							
DFT & RFT vibration control	Pulse width modulation (precise and programmable vibration frequency control - independent from input frequency)							
Weigh cell	Ishida double-beam strain gauge loadcell							
Materials	Surfaces are made of 304 stainless steel or other sanitary materials							
IP test rating	SS: IP54 Rating / WP: IP69K Rating							
Power	Wattage		0.6kW					
	Voltage		200-240V 50/60Hz 1-phase		380-480V 50/60Hz 3-phase			
Air**	150 litres/min (ANR) 0.4 Mpa Air hose - PT 3/8" (for air dryer connection)							
Net weight***	Approx. 1000kg							
Standard compliance	CE/UL/FDA/USDA/RoHS							

Design and specifications are subject to change without notice (please confirm dimensions at point of order).

* Depends on product shape, product density, target weight, feeding conditions, etc.

** Compressed air supply is required only for WP machines. Note: Air hose compressor must be provided by user.

*** The machine weight varies depending on the options selected.

RV Series

No other multihead weigher supplier can match the experience and global installed base of Ishida and it is this expertise and pioneering spirit that has gone into this innovative multihead weigher. Extensive Ishida research and development have delivered improved speed, accuracy, reliability and ease-of use.

Features & Benefits

RV high performance features

- ▲ Pulse width modulation offers auto tuning of dispersion table and radial troughs
- ▲ Simultaneous triple combination calculation delivers up to 100% efficiency
- ▲ 5 stage digital filter ensures rapid, stable calculations
- ▲ Average weight control software minimises giveaway every cycle
- ▲ Anti-floor vibration removes background vibration noise from load cell calculation for maximum weighing accuracy and reduced product giveaway
- ▲ Ethernet connection to data link machine performance and for advanced remote customer care services from Ishida

More effective feeder vibration

Precise feeder drive control optimises product distribution enabling more combination weights are made available. This provides better and more consistent control of pool hopper filling, helping ensure the amounts available to the weigh hoppers are within a suitably low “tolerance” range.

Faster filtering

High speed filtering of the weigh hopper load cell signal combined with anti-floor vibration gives very fast stable outputs. Because of the reduced settling time, more heads are available for inclusion in the combination calculation - increasing the range of weight options, delivering market leading weigher efficiency and accuracy.

More efficient hopper control

In the design of the RV, our extensive applications experience has been used to produce optimum, programmable “door” acceleration and deceleration profiles, resulting in performance that can be exactly tailored to products being handled.

Top protection in challenging fresh & frozen environments

- ▲ Tested and independently certified IP69K (specific wash down instructions in operator manual)
- ▲ Humidity and temperature sensors as standard for easy control and detection of water ingress
- ▲ Access to Industry 4.0 technology for live, web based data analytics

Increased productivity with Industry 4.0

- ▲ Sentinel™ Reporting Pack included free of charge for life
- ▲ Provides instant visibility of live machine performance from anywhere in the world
- ▲ Optional access to remote technical support, rapid response diagnosis and pro-active performance monitoring

ISHIDA EUROPE LIMITED
Kettles Wood Drive
Woodgate Business Park
Birmingham
B32 3DB
United Kingdom
Tel: +44 (0)121 607 7700
Fax: +44 (0)121 607 7888
info@ishidaeurope.com

ISHIDA CZECH REPUBLIC
Tel: +420 317 844 059
Fax: +420 317 844 052
info@ishidaeurope.cz

ISHIDA ROMANIA
Tel: +44 (0)121 607 7700
Fax: +44 (0)121 607 7888
info@ishidaeurope.ro

ISHIDA FRANCE
Tel: +33 (0)1 48 63 83 83
Fax: +33 (0)1 48 63 24 29
info@ishidaeurope.fr

ISHIDA RUSSIA AND CIS
Tel: +7 499 272 05 36
Fax: +7 499 272 05 37
info@ishidaeurope.ru

ISHIDA GERMANY
Tel: +49 (0)791 945 160
Fax: +49 (0)791 945 1699
info@ishida.de

ISHIDA SOUTH AFRICA
Tel: +27 (0)11 976 2010
Fax: +27 (0)11 976 2012
info@ishidaeurope.com

ISHIDA MIDDLE EAST
Tel: +971 (0)4 299 1933
Fax: +971 (0)4 299 1955
ishida@ishida.ae

ISHIDA SWITZERLAND
Tel: +41 (0)41 799 7999
Fax: +41 (0)41 790 3927
info@ishida.ch

ISHIDA NETHERLANDS
Tel: +31 (0)499 39 3675
Fax: +31 (0)499 39 1887
info@ishida.nl